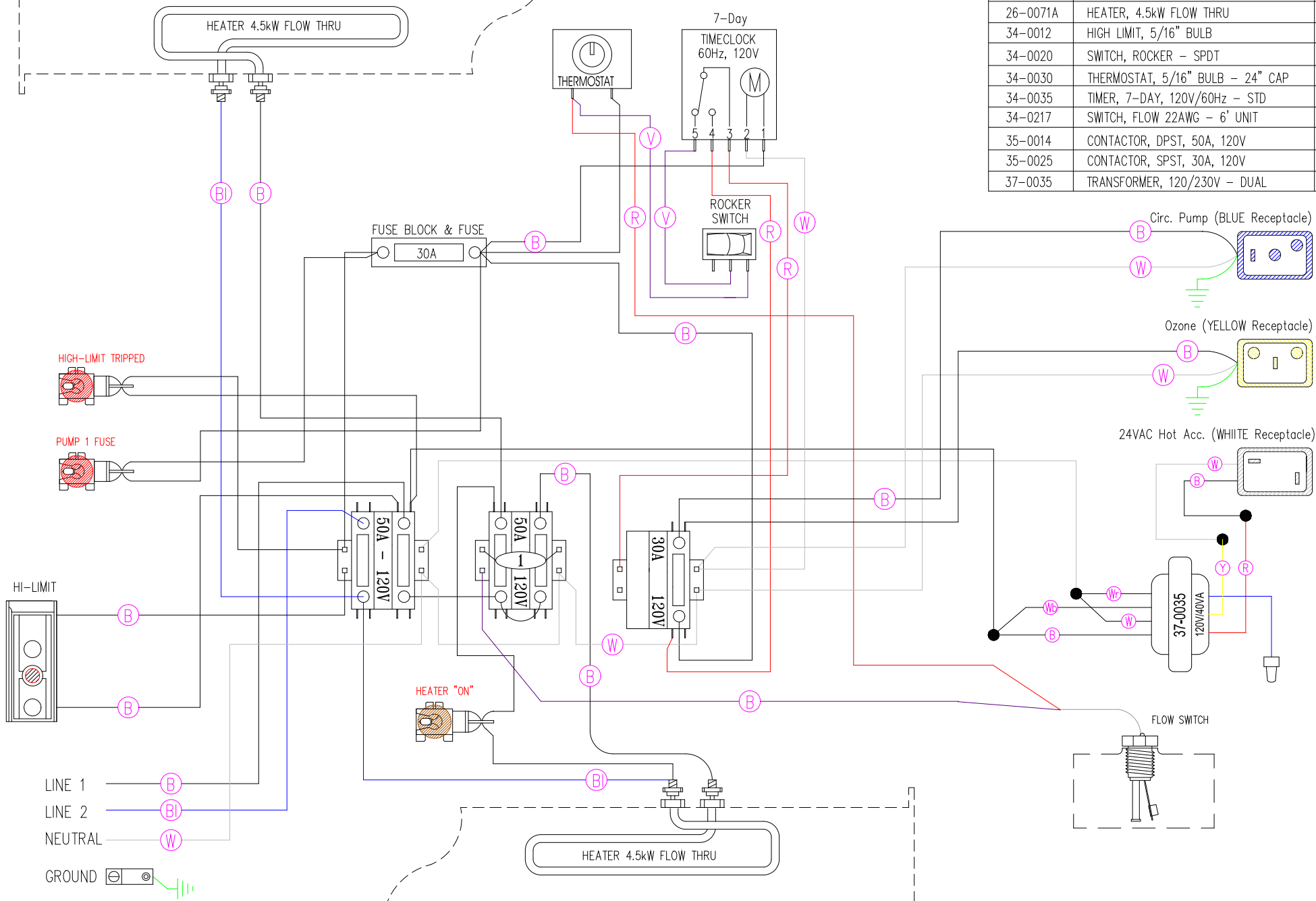


PART NUMBER	DESCRIPTION	QTY
26-0071A	HEATER, 4.5kW FLOW THRU	2
34-0012	HIGH LIMIT, 5/16" BULB	1
34-0020	SWITCH, ROCKER - SPDT	1
34-0030	THERMOSTAT, 5/16" BULB - 24" CAP	1
34-0035	TIMER, 7-DAY, 120V/60Hz - STD	1
34-0217	SWITCH, FLOW 22AWG - 6' UNIT	1
35-0014	CONTACTOR, DPST, 50A, 120V	2
35-0025	CONTACTOR, SPST, 30A, 120V	1
37-0035	TRANSFORMER, 120/230V - DUAL	1



HYDRO-QUIP
CORONA, CA (951) 273-7575

Dwg. No. ES9005-BAP

Drawn GC
Date 02.08.07

Rev 1

Diagram No. 1789

Wire Color Code	
B - Black	G - Green
Bl - Blue-Black	Bl - Blue
R - Red	V - Violet
O - Orange	W - White
Y - Yellow	Gr - Gray